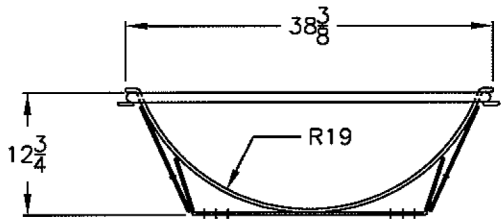
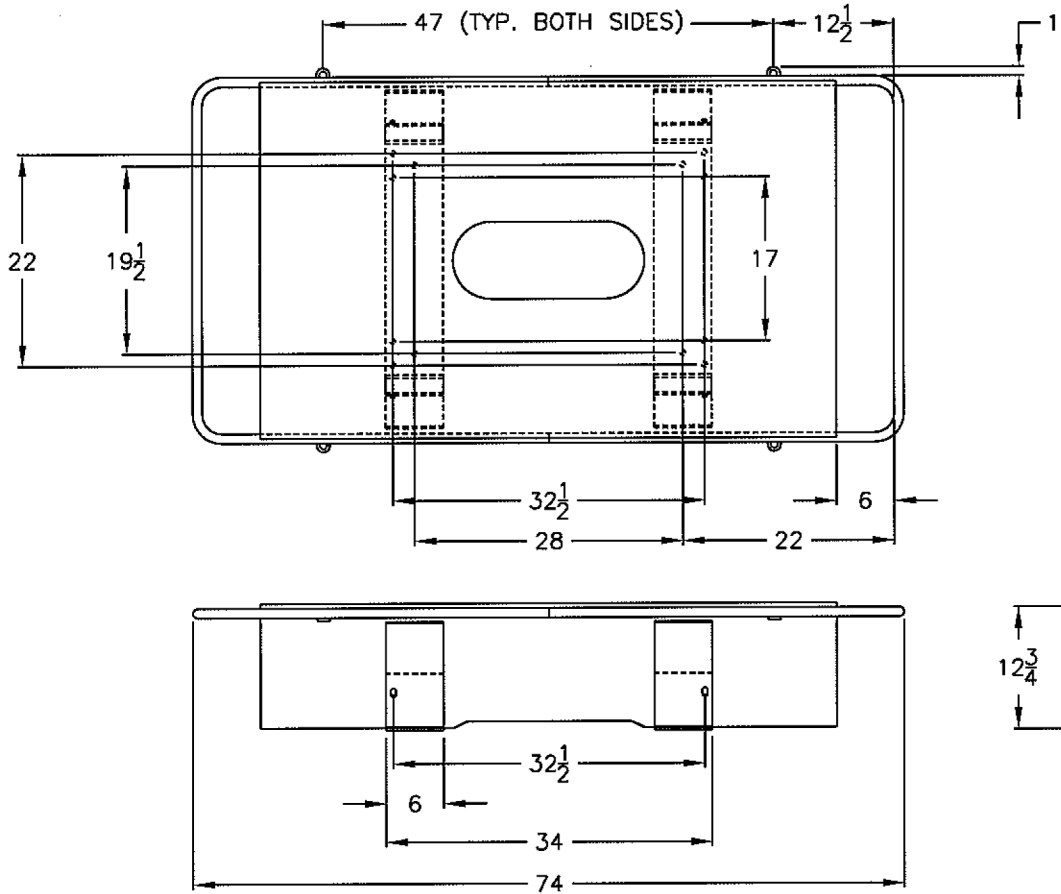



REVISIONS				
ZONE	REV	DESCRIPTION	DATE	APPROVED



PARTS BAG CONTENTS:

- (2) POLY STRAP, 3" X 96"
- (4) BENT BUCKLE, 3"
- (4) J-BOLT, 1/2"
- (8) HEX NUT, 1/2"

JTP 27FEB02		 PEABODY engineering <i>No Boundaries.</i>		
		300-38 SADDLE ASSEMBLY		
SIZE A	FSCM NO.	DWG NO.	REV	
SCALE 1/20	SHEET			